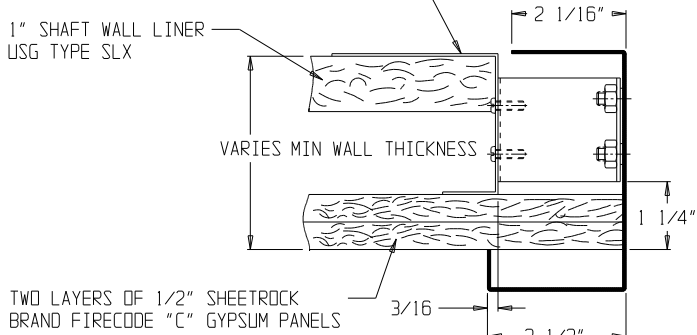


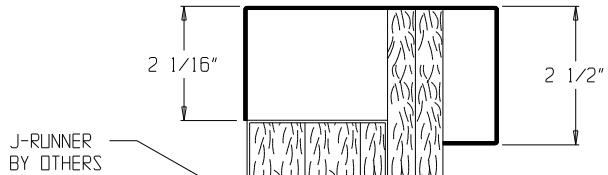
SECTION "A-A"
SCALE 5/32" = 1"

JAMB STRUT PROVIDED
BY OTHERS

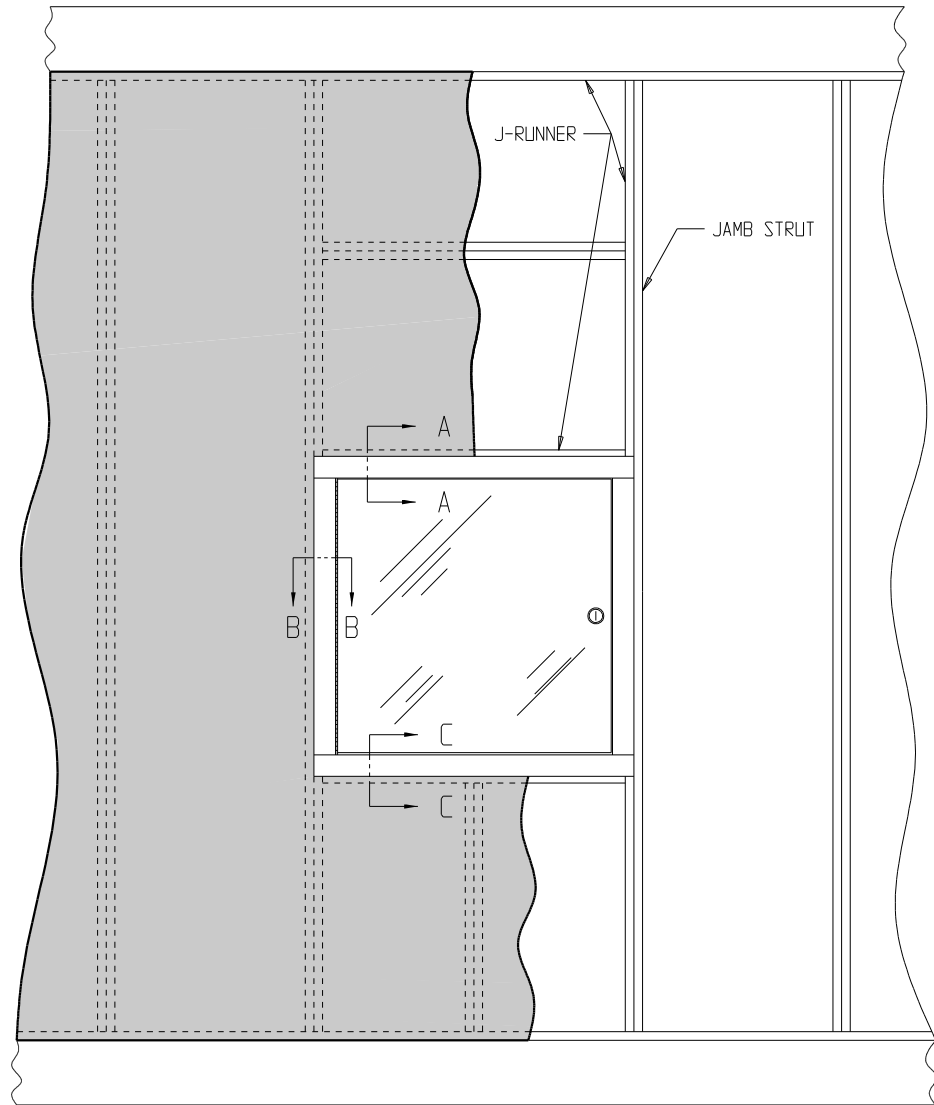


SECTION "B-B"
SCALE 5/32" = 1"

NOTE: AS WALL THICKNESS
CHANGES, THE METHOD OF
DRYWALL INSTALLATION
WILL CHANGE ACCORDINGLY.
THIS DRAWING SHOULD BE
USED ONLY AS A REFERENCE.



SECTION "C-C"
SCALE 5/32" = 1"



TITLE: TYPICAL VARIATION OF DRYWALL CONSTRUCTION WITH KAFKA UL LABELED MACHINE ACCESS DOOR

LEVEL 1
1/9/06

L.O. BY	DATE REQ
APPROVED	PAINT
DATE L.O.	SHEET 1 OF 1
SCALE 1/16" = 1"	# REQ'D

	Kafka Manufacturing Co.	
	7600 Industrial Dr. Forest Park, IL. 60130	
	Phone: (708) 771-0970 Fax: (708) 771-0108	
-B-	DWG NO. JJJ 1000-728	JOB NO.

HOISTWAY TO BE BUILT BEFORE DUMBWAITER IS INSTALLED
EXCEPT THE WALLS ARE TO BE OMITTED WHERE HOISTWAY
DOORS OCCUR UNTIL THE DUMBWAITER IS INSTALLED &
HOISTWAY DOORS ARE SET IN PLACE

WALL TO BE BUILT TO UNDERWRITERS
LABORATORIES STANDARD W438
WALL DESIGN