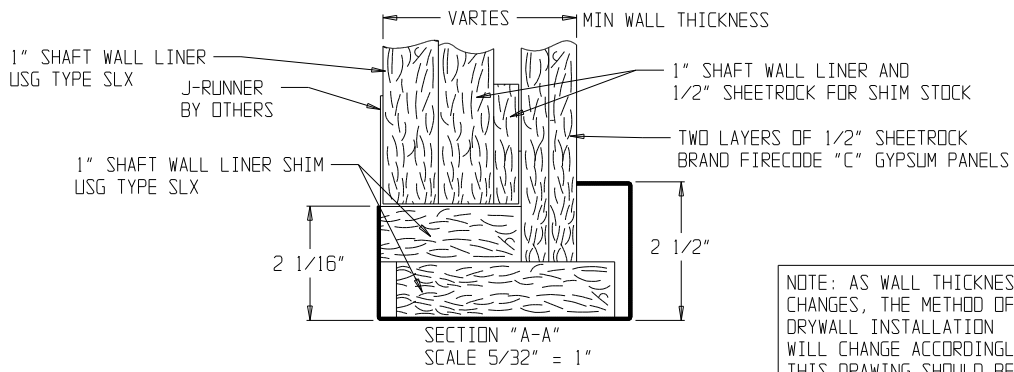
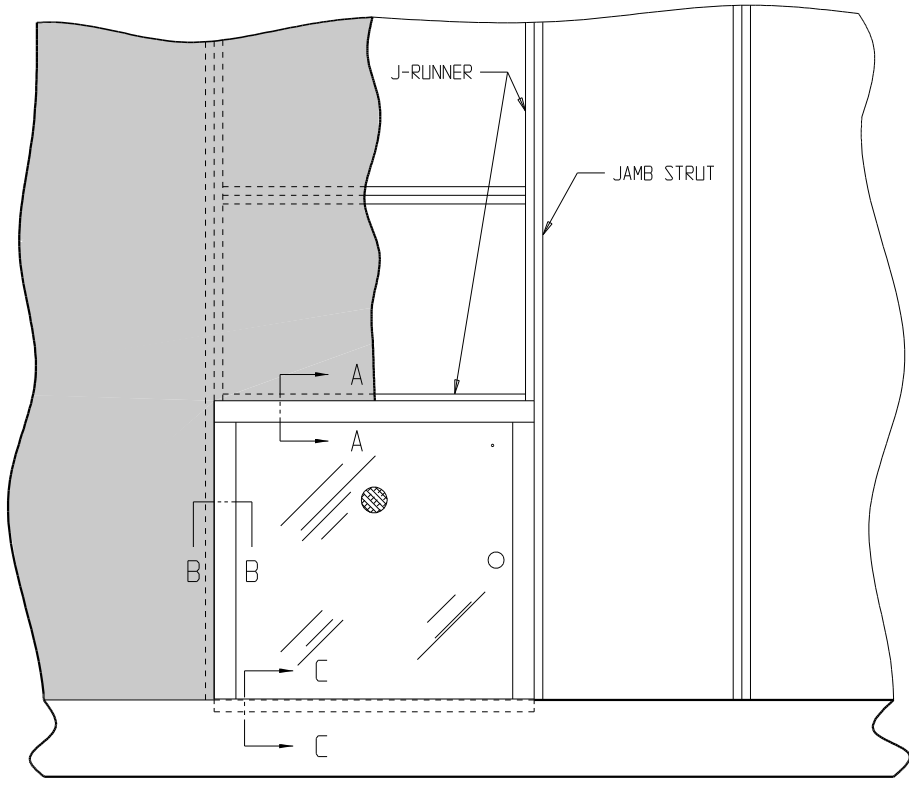
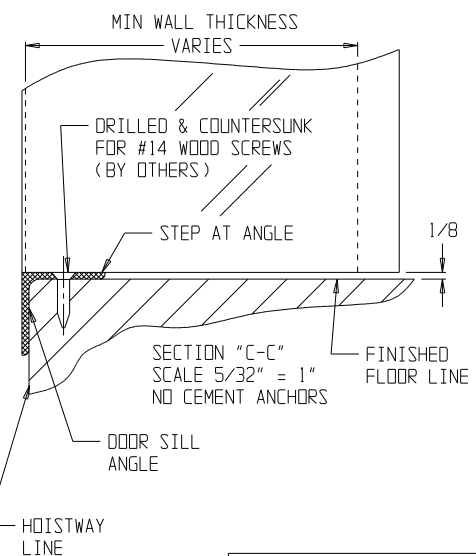
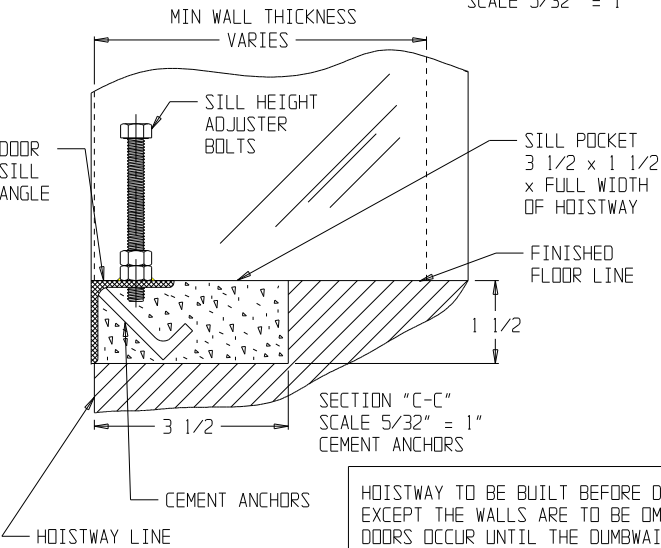
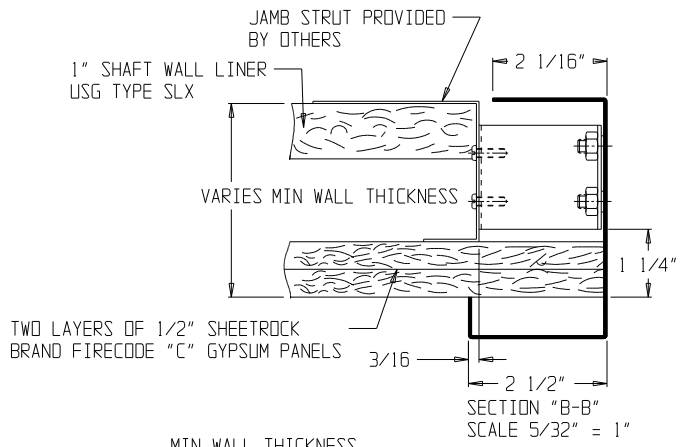



WALL TO BE BUILT TO UNDERWRITERS LABORATORIES STANDARD W438 WALL DESIGN



NOTE: AS WALL THICKNESS CHANGES, THE METHOD OF DRYWALL INSTALLATION WILL CHANGE ACCORDINGLY. THIS DRAWING SHOULD BE USED ONLY AS A REFERENCE.



TITLE: TYPICAL VARIATION OF DRYWALL CONSTRUCTION WITH KAFKA UL LABELED FLOOR LOADING SWING DUMBWAITER DOOR			LEVEL 3 1/9/06
L.O. BY	DATE REQ	 <b>Kafka Manufacturing Co.</b> 7600 Industrial Dr. Forest Park, IL 60130 Phone: (708) 771-0970 Fax: (708) 771-0108	
APPROVED	PAINT		
DATE L.O.	SHEET 1 OF 1	-B-	DWG NO. JJP 1000-727
SCALE 1/16" = 1"	# REQ'D	JOB NO.	

HOISTWAY TO BE BUILT BEFORE DUMBWAITER IS INSTALLED EXCEPT THE WALLS ARE TO BE OMITTED WHERE HOISTWAY DOORS OCCUR UNTIL THE DUMBWAITER IS INSTALLED & HOISTWAY DOORS ARE SET IN PLACE