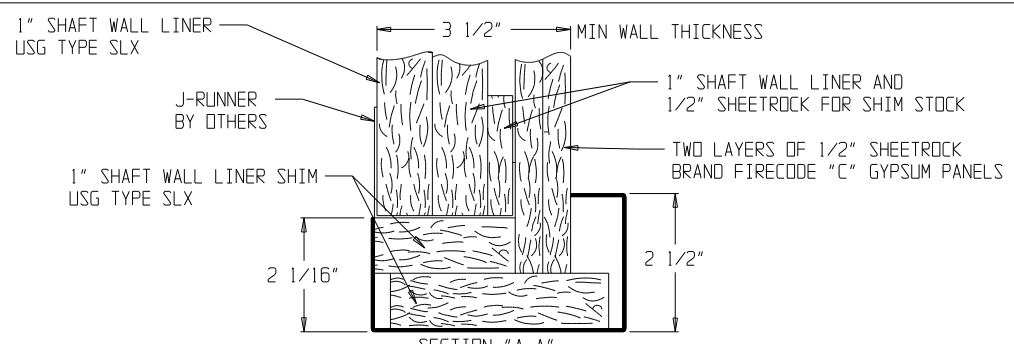
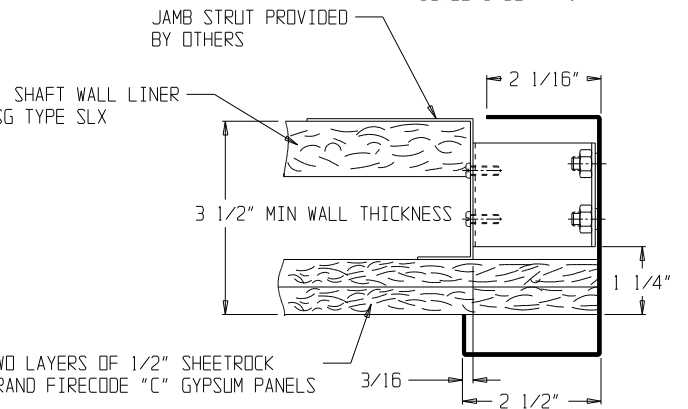


WALL TO BE BUILT TO UNDERWRITERS LABORATORIES STANDARD W438 WALL DESIGN



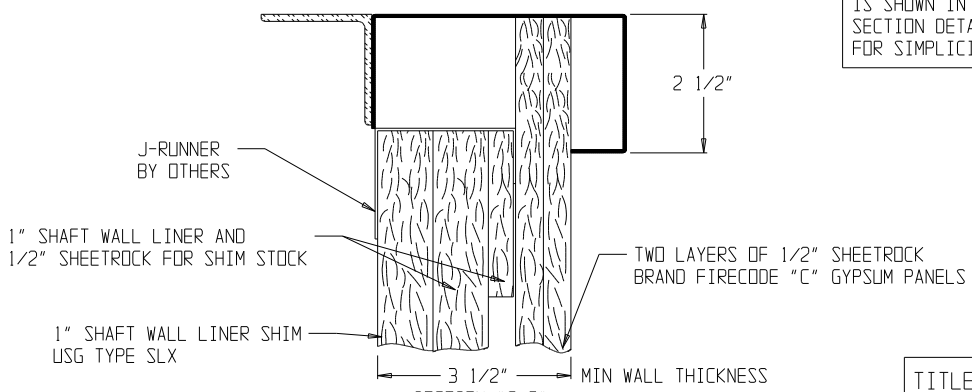
SECTION "A-A"  
SCALE 5/32" = 1"



SECTION "B-B"  
SCALE 5/32" = 1"

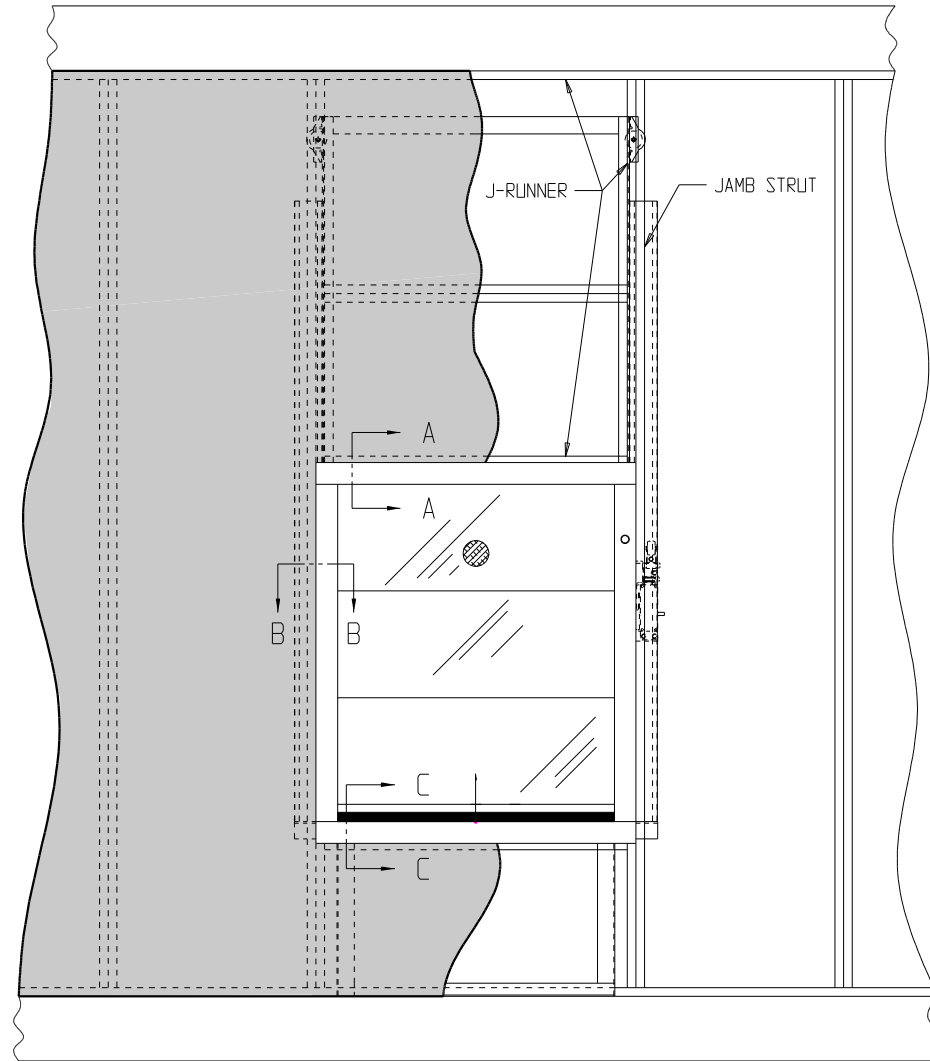
NOTE: AS WALL THICKNESS CHANGES, THE METHOD OF DRYWALL INSTALLATION WILL CHANGE ACCORDINGLY. THIS DRAWING SHOULD BE USED ONLY AS A REFERENCE.

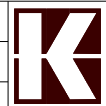
ONLY DOOR FRAME IS SHOWN IN SECTION DETAILS FOR SIMPLICITY



SECTION "C-C"  
SCALE 5/32" = 1"

HOISTWAY TO BE BUILT BEFORE DUMBWAITER IS INSTALLED EXCEPT THE WALLS ARE TO BE OMITTED WHERE HOISTWAY DOORS OCCUR UNTIL THE DUMBWAITER IS INSTALLED & HOISTWAY DOORS ARE SET IN PLACE



TITLE: TYPICAL VARIATION OF DRYWALL CONSTRUCTION WITH KAFKA UL LABELED COUNTER LOADING SLIDE UP DUMBWAITER DOOR		LEVEL 3 1/9/06
L.O. BY	DATE REQ	 <b>Kafka Manufacturing Co.</b> 7600 Industrial Dr. Forest Park, IL. 60130 Phone: (708) 771-0970 Fax: (708) 771-0108
APPROVED	PAINT	
DATE L.O.	SHEET 1 OF 1	-B- DWG NO. 1000-726 JOB NO. JJP
SCALE 1/16" = 1"	# REQ'D	