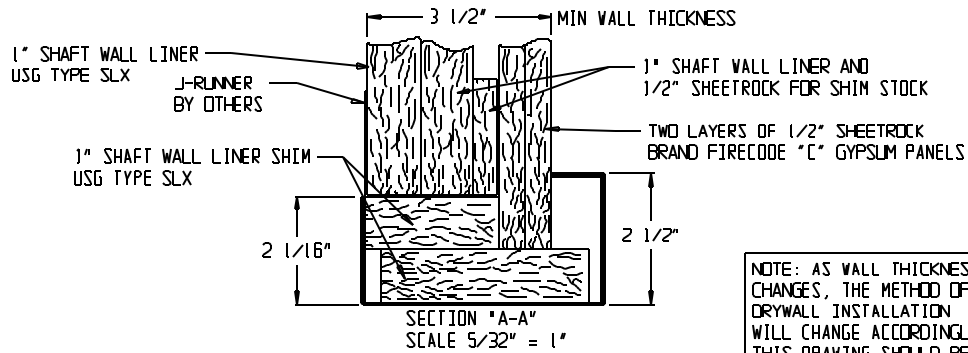
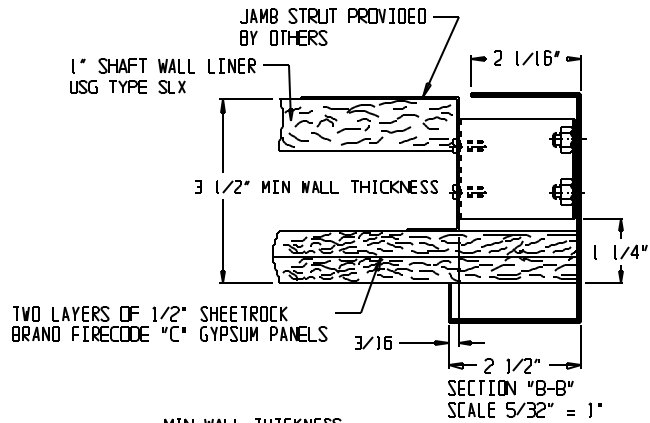


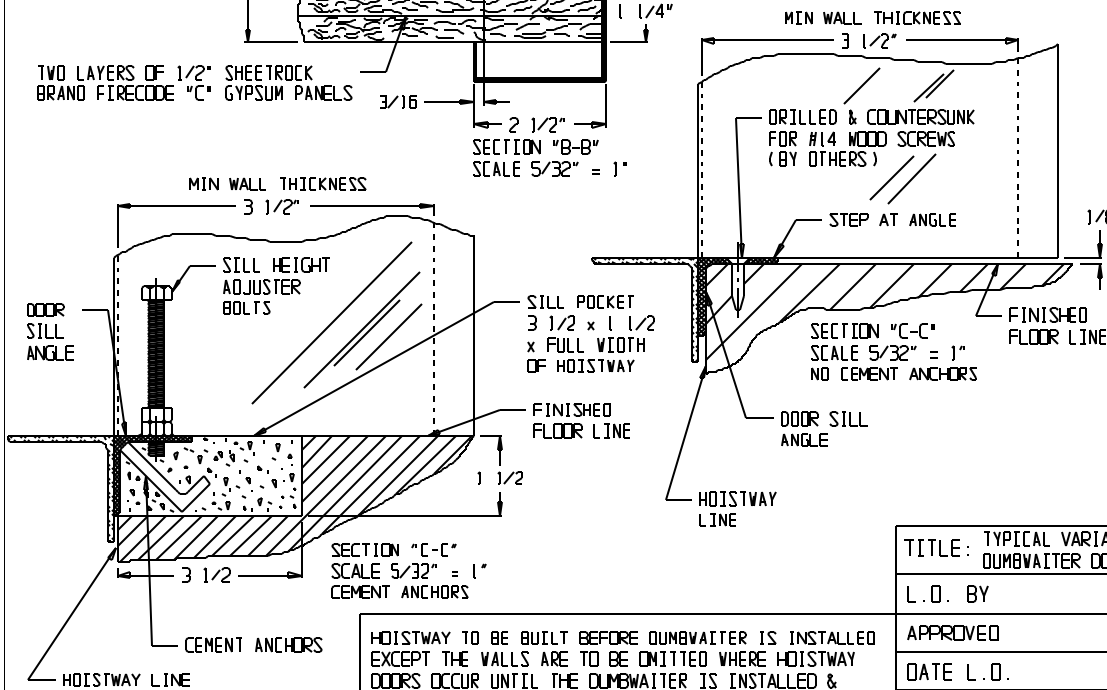
VALL TO BE BUILT TO UNDERWRITERS
LABORATORIES STANDARD W438
WALL DESIGN



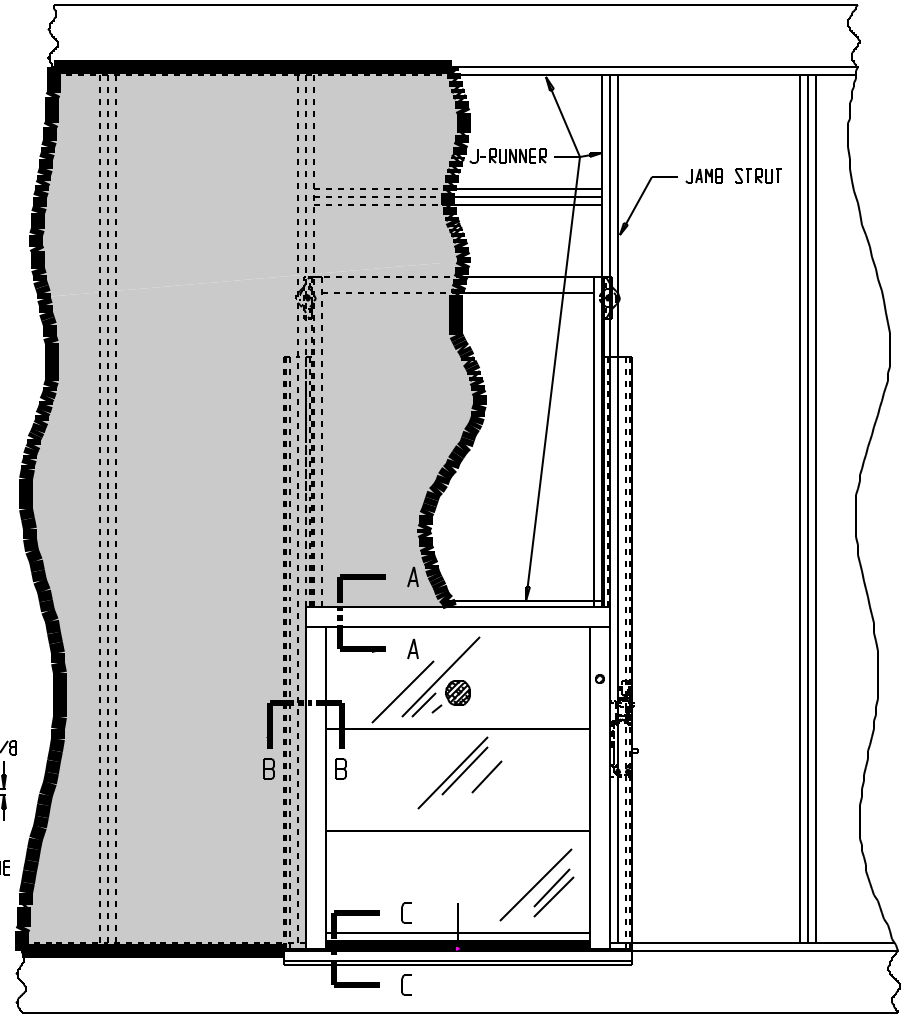
NOTE: AS WALL THICKNESS
CHANGES, THE METHOD OF
DRYWALL INSTALLATION
WILL CHANGE ACCORDINGLY.
THIS DRAWING SHOULD BE
USED ONLY AS A REFERENCE.




ONLY DOOR FRAME
IS SHOWN IN
SECTION DETAILS
FOR SIMPLICITY



HOISTWAY TO BE BUILT BEFORE DUMBAWAITER IS INSTALLED
EXCEPT THE WALLS ARE TO BE OMITTED WHERE HOISTWAY
DOORS OCCUR UNTIL THE DUMBAWAITER IS INSTALLED &
HOISTWAY DOORS ARE SET IN PLACE



TITLE: TYPICAL VARIATION OF DRYWALL CONSTRUCTION WITH KAFKA UL LABELED FLOOR LOADING SLIDE UP DUMBAWAITER DOOR			LEVEL 1 1/9/06
L.O. BY	DATE REQ	 Kafka Manufacturing Co. 7800 Industrial Dr. Forest Park, IL 60130 Phone: (708) 771-0970 Fax: (708) 771-0108	
APPROVED	PAINT		
DATE L.O.	SHEET 1 OF 1	-8-	DWG NO. 1000-726
SCALE 1/16" = 1"	# REQ'D	JJP	JOB NO.