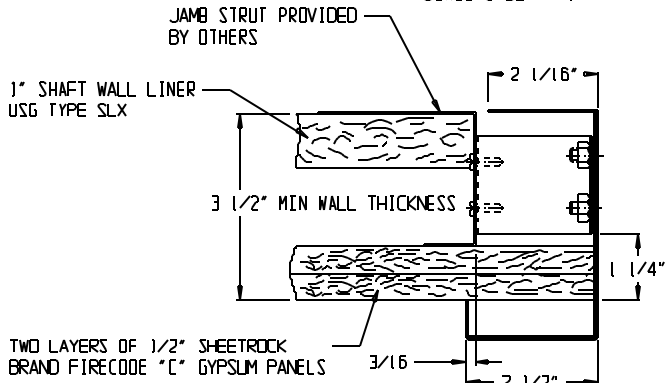


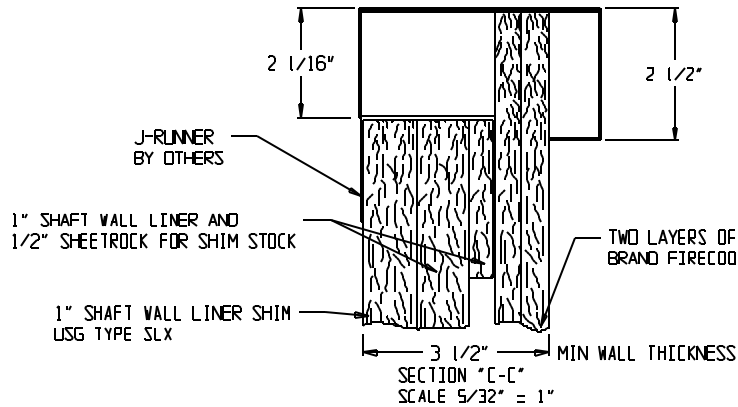
SECTION "A-A"  
SCALE 5/32" = 1"



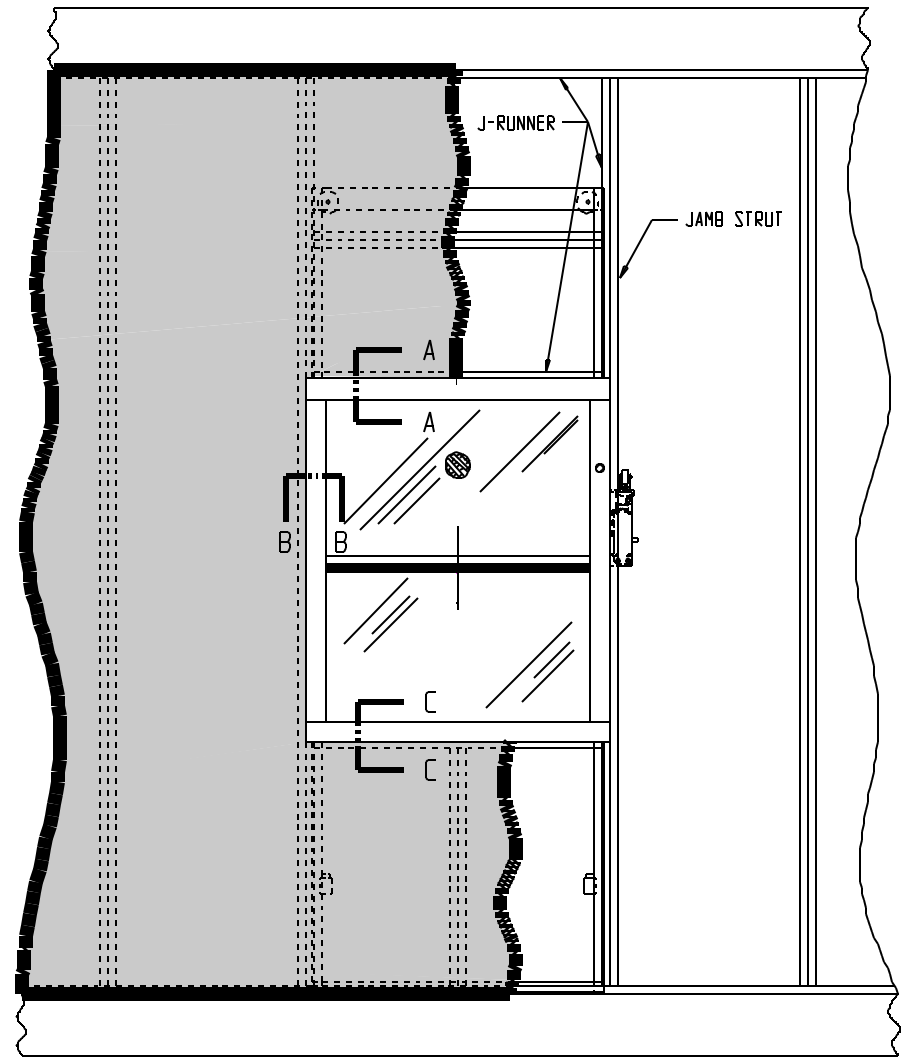
SECTION "B-B"  
SCALE 5/32" = 1"

NOTE: AS WALL THICKNESS CHANGES, THE METHOD OF DRYWALL INSTALLATION WILL CHANGE ACCORDINGLY. THIS DRAWING SHOULD BE USED ONLY AS A REFERENCE.

ONLY DOOR FRAME IS SHOWN IN SECTION DETAILS FOR SIMPLICITY




SECTION "C-C"  
SCALE 5/32" = 1"



WALL TO BE BUILT TO UNDERWRITERS LABORATORIES STANDARD W43B WALL DESIGN

HOISTWAY TO BE BUILT BEFORE DUMBWAITER IS INSTALLED EXCEPT THE WALLS ARE TO BE OMITTED WHERE HOISTWAY DOORS OCCUR UNTIL THE DUMBWAITER IS INSTALLED & HOISTWAY DOORS ARE SET IN PLACE

TITLE: TYPICAL VARIATION OF DRYWALL CONSTRUCTION WITH KAFKA UL LABELED COUNTER LOADING BI PARTING DUMBWAITER DOOR		LEVEL 1
L.O. BY	DATE REQ	1/9/06
APPROVED	PAINT	
DATE L.O.	SHEET 1 OF 1	
SCALE 1/16" = 1"	# REQ'D	
 <b>Kafka Manufacturing Co.</b> 7600 Industrial Dr. Forest Park, IL 60130 Phone: (708) 771-0970 Fax: (708) 771-0108		
-8-	DWG NO. 1000-725	JJP JOB NO.