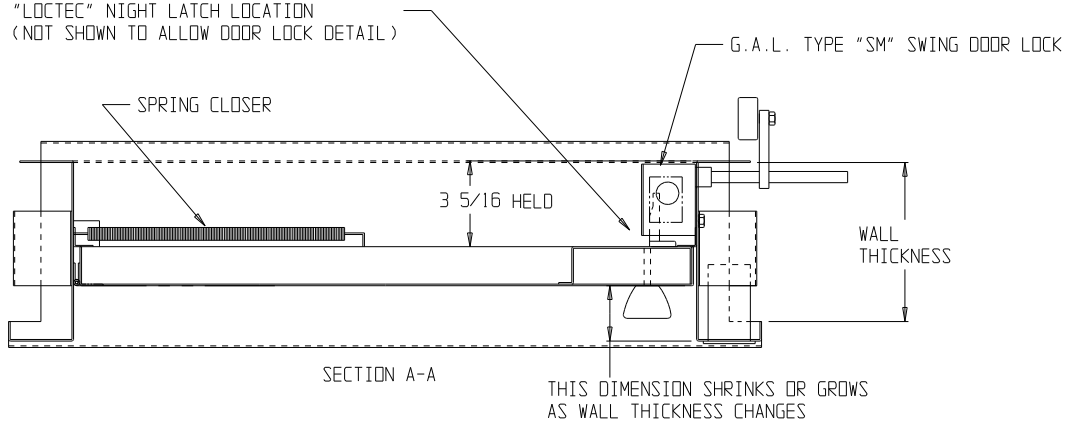


BUTTON VOLTAGE  
24 V. A. C.

ARRIVAL LIGHT  
24 V. A. C.

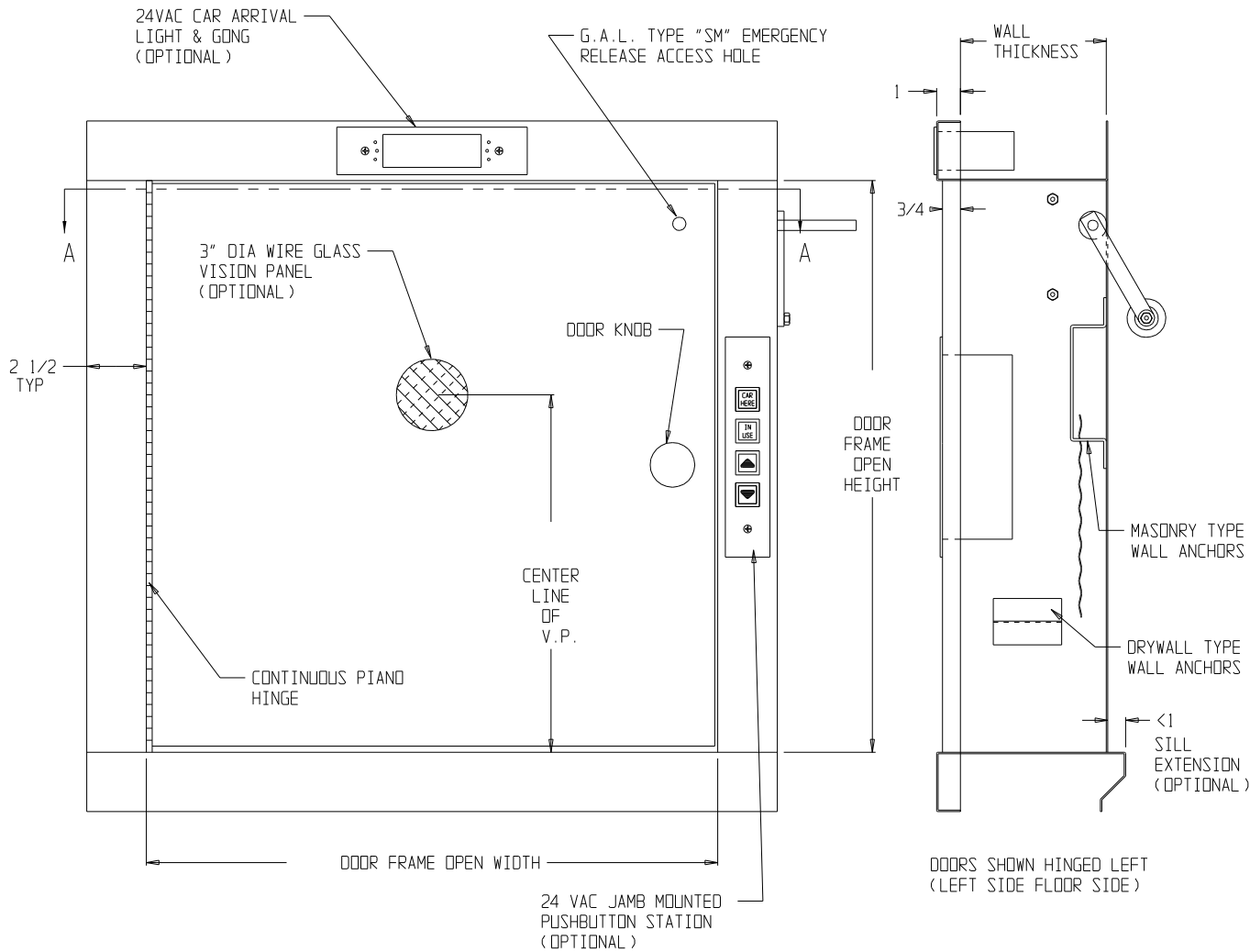
WALL CONSTRUCTION  
DRYWALL | MASONRY

"LOCTEC" NIGHT LATCH LOCATION  
(NOT SHOWN TO ALLOW DOOR LOCK DETAIL)



24VAC CAR ARRIVAL  
LIGHT & GONG  
(OPTIONAL)

G.A.L. TYPE "SM" EMERGENCY  
RELEASE ACCESS HOLE



EQUATIONS

CENTERLINE OF V.P.

<18 FRAME OPEN WIDTH=DOOR FRAME HEIGHT-9  
>18 FRAME OPEN WITH=OPTIONAL HEIGHT

MATERIAL: 16 GA. STAINLESS - #4 FINISH OR 16 GA. PRIMED PLAIN STEEL

CUSTOMER	SHIP TO	REVISIONS			
		SYM.	DATE	DESCRIPTION	BY
JOB NAME		TITLE: DUMBWAITER UL "B" LABELED SWING COUNTER LOADING DOOR WITH G.A.L. TYPE "SM" DOOR LOCK INSIDE FRAME-FOR USE WITH ≥4 1/4" WALL THICKNESS & <1" OPTIONAL SILL EXTENSION			LEVEL 1 2/8/06
L.O. BY		DATE REQ		<p><b>Kafka Manufacturing Co.</b> 7600 Industrial Dr. Forest Park, Il. 60130 Phone: (708) 771-0970 Fax: (708) 771-0108</p>	
APPROVED		PAINT			
DATE L.O.		SHEET OF			
SCALE 3/16" = 1"		# REQ'D			
		-B-	DWG NO. JJP 1000-711	JOB NO.	