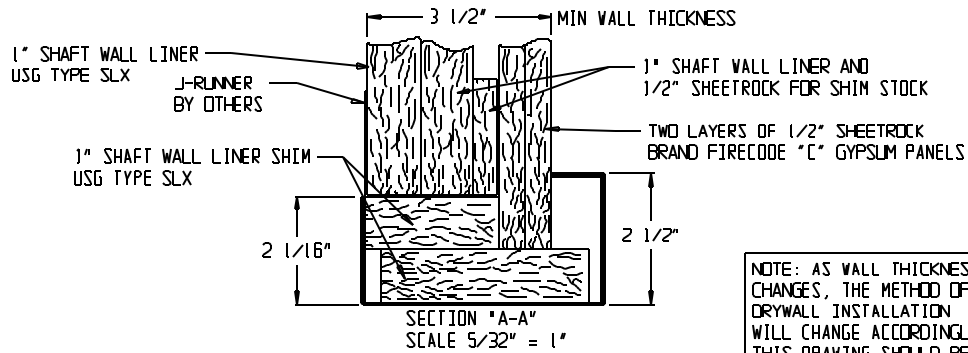
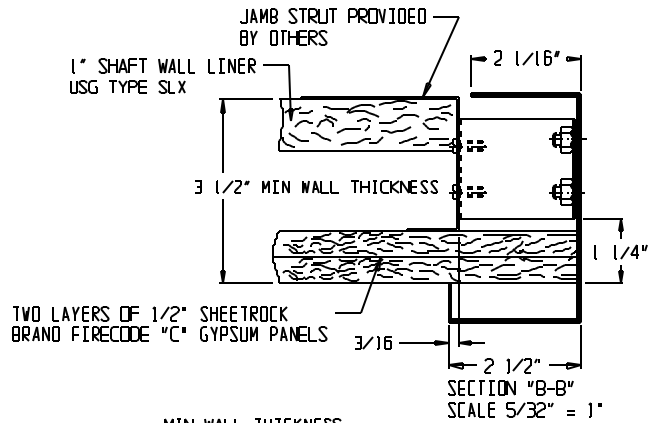


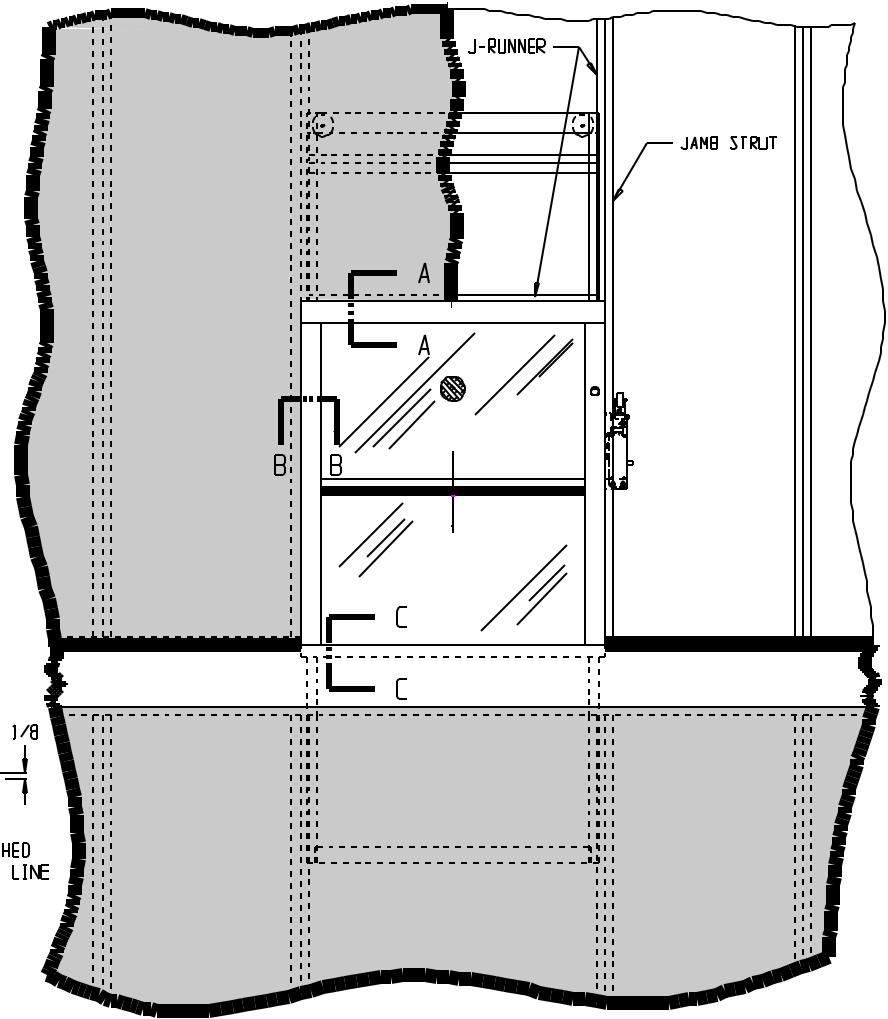
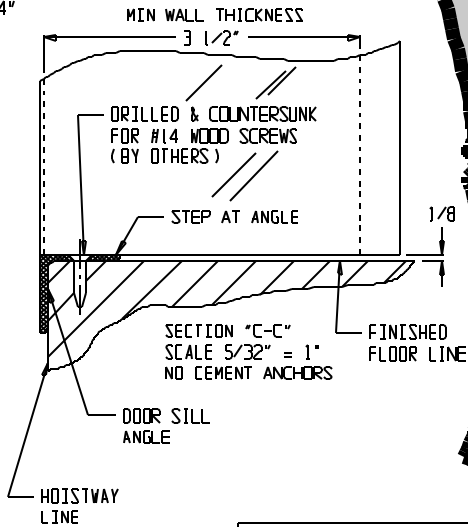
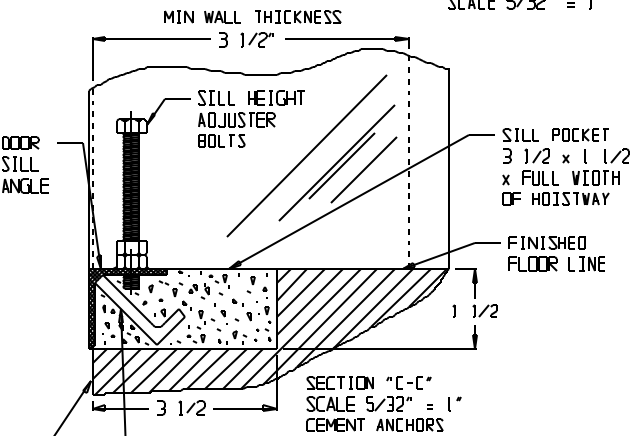
VALL TO BE BUILT TO UNDERWRITERS
LABORATORIES STANDARD W438
WALL DESIGN




NOTE: AS WALL THICKNESS
CHANGES, THE METHOD OF
DRYWALL INSTALLATION
WILL CHANGE ACCORDINGLY.
THIS DRAWING SHOULD BE
USED ONLY AS A REFERENCE.



ONLY DOOR FRAME
IS SHOWN IN
SECTION DETAILS
FOR SIMPLICITY



HOISTWAY TO BE BUILT BEFORE DUMBWAITER IS INSTALLED
EXCEPT THE WALLS ARE TO BE OMITTED WHERE HOISTWAY
DOORS OCCUR UNTIL THE DUMBWAITER IS INSTALLED &
HOISTWAY DOORS ARE SET IN PLACE

TITLE: TYPICAL VARIATION OF DRYWALL CONSTRUCTION WITH KAFKA UL LABELED FLOOR LOADING BI PARTING			LEVEL 3
DUMBWAITER DOOR			1/9/06
L.O. BY	DATE REQ	 Kafka Manufacturing Co. 7800 Industrial Dr. Forest Park, IL 60130 Phone: (708) 771-0970 Fax: (708) 771-0108	
APPROVED	PAINT		
DATE L.O.	SHEET 1 OF 1	-8-	DWG NO. 1000-725
SCALE 1/16" = 1"	# REQ'D		JJP